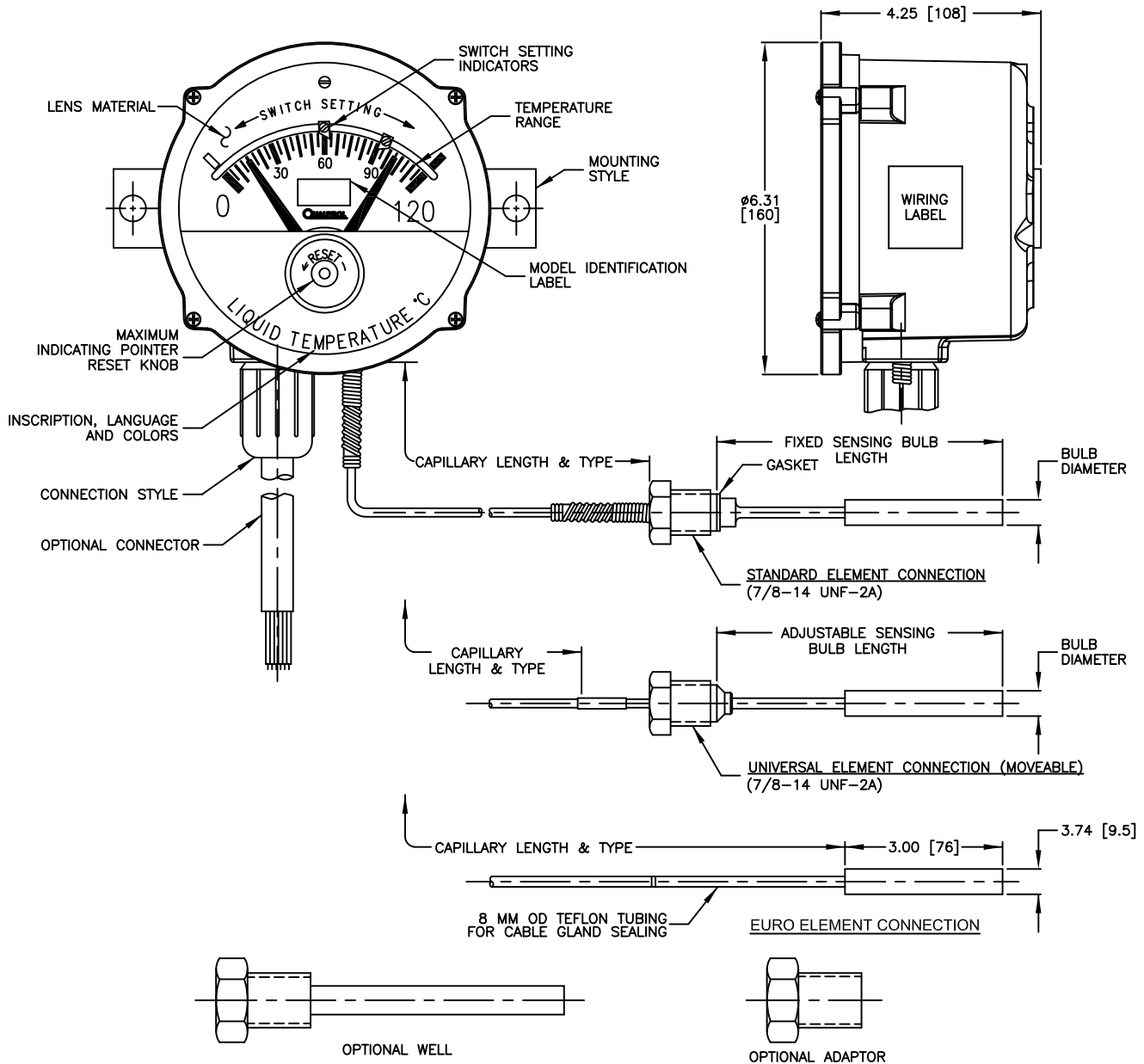


# Product Information

## 6" Remote Thermometer

### General

© Qualitrol is an ISO 9001 system certified company.  
Information subject to change without notice.



**NOTES: (UNLESS OTHERWISE SPECIFIED)**

1. CASE: CAST ALUMINUM WITH ASA #70 LIGHT GRAY FINISH.
2. BEZEL: CAST ALUMINUM - REMOVABLE.
3. ENVIRONMENTAL SUITABILITY: SPECIFIED ON ORDER.
4. LENS MATERIAL: SPECIFIED ON ORDER.
5. DIAL COLORS: SPECIFIED ON ORDER.
6. POINTER COLOR: AS PER DIAL COLOR.
7. MAXIMUM INDICATING POINTER COLOR: RED.
8. SWITCH SETTING INDICATOR COLOR: SILVER.
9. SWITCH SETTINGS: SPECIFIED ON ORDER.
10. SWITCH SETTING ADJUSTABLE CENTRAL 80% OF DIAL RANGE.
11. SWITCH DIFFERENTIAL: 7.5°C ±2.5°C.
12. ACCURACY: ±2% OF DIAL RANGE.
13. SWITCH RATING (STANDARD):
  - UL/CSA RATING: 10 AMPS AND 1/3 HP @ 125, 250 VAC
  - 1/2 AMP @ 125 VDC (NON-INDUCTIVE)
  - 1/4 AMP @ 250 VDC (NON-INDUCTIVE)
  - 4 AMPS @ 125 VAC "L" (LAMP LOAD)
- (GOLD PLATED SWITCH CONTACTS AVAILABLE FOR 0.1 AMP @ 125 VAC).

13. CASE ASSEMBLY DIELECTRIC STRENGTH: 2,000 VOLTS TO GROUND FOR 60 SECONDS.  
SCADA REMOTE OUTPUT DIELECTRIC STRENGTH: 500 VOLTS TO GROUND FOR 60 SECONDS.  
TERMINAL BOX DIELECTRIC STRENGTH: 2,000 VOLTS TO GROUND FOR 60 SECONDS.
14. TO ADJUST SWITCH INDICATOR(S):
  - A.) REMOVE BEZEL AND LENS ASSEMBLY.
  - B.) LOOSEN SCREWS AND MOVE SWITCH SETTING INDICATOR TO DESIRED SETTING. RE-TIGHTEN SCREWS.
  - C.) REPLACE BEZEL AND LENS ASSEMBLY.
15. TO CHECK SWITCH OPERATION MANUALLY:
  - A.) REMOVE BEZEL AND LENS ASSEMBLY.
  - B.) TURN POINTER CLOCKWISE PAST THE SWITCH SETTING INDICATOR.
  - C.) SLOWLY RETURN THE POINTER TO ITS ORIGINAL POSITION.
  - D.) REPLACE BEZEL AND LENS ASSEMBLY.
  - E.) **CAUTION!!** POINTER MUST NEVER BE TURNED COUNTERCLOCKWISE.
16. DEVICE WIRING: SPECIFIED ON ORDER.
17. SCADA INPUT VOLTAGE: 90-264 VAC 50/60 Hz., OR 125/250 VDC, CONNECT TO TB2 1-2.
18. SCADA SEALING: END CUSTOMER IS RESPONSIBLE FOR PROPER CABLE GLAND SEALING.

# Product Information

## 6" Remote Thermometer

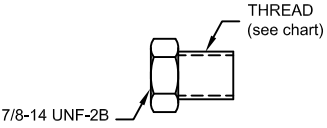
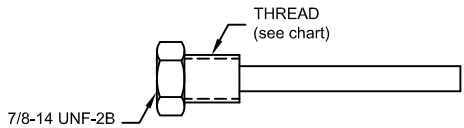
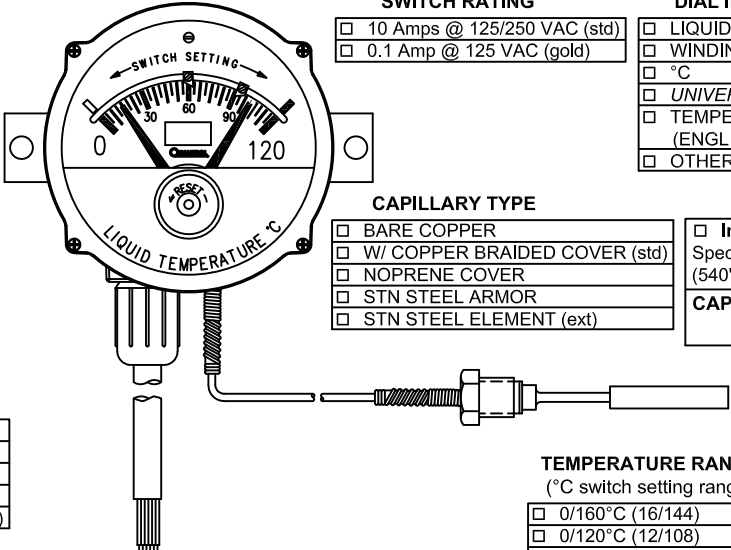
### Option Sheet

© Qualitrol is an ISO 9001 system certified company.  
Information subject to change without notice.



#### Customer Name & Reference:

<b>TYPE</b>		<b>CONSULT FACTORY</b>		<b>SWITCH SETTINGS IN °C (see temp. range chart for available setting range)</b>																																																								
<input type="checkbox"/> BASIC <input type="checkbox"/> SCADA		<input type="checkbox"/> SPECIAL LABELING		<b>NUMBER OF SWITCHES</b>	<b>SWITCH #1</b>	<b>SWITCH #2</b>	<b>SWITCH #3</b>																																																					
<b>mA OUTPUT</b> <input type="checkbox"/> 0-1 mA (std) <input type="checkbox"/> 0-1 mA w/ LTC OUTPUT <input type="checkbox"/> 4-20 mA <input type="checkbox"/> 4-20 mA w/ LTC OUTPUT		<b>LENS MATERIAL</b> <input type="checkbox"/> POLYCARBONATE (std) <input type="checkbox"/> TEMPERED GLASS		<input type="checkbox"/> NONE    Specify settings in 5°C increments. Switch differential is 5°/10° C. <input type="checkbox"/> 1 <input type="checkbox"/> 2 <input type="checkbox"/> 3 <input type="checkbox"/> 4																																																								
<b>GAGE MOUNTING STYLE</b> <input type="checkbox"/> BTMMTPLT <input type="checkbox"/> EUROVIB <input type="checkbox"/> INT1/2THD <input type="checkbox"/> STDPLATE (std) <input type="checkbox"/> STUD3/4 <input type="checkbox"/> UNIVPLT		<b>GAGE MOUNTING STYLE</b> <input type="checkbox"/> SCADAPLT (std) <input type="checkbox"/> SCADAVIB <b>CABLE ENTRY PORTS</b> <input type="checkbox"/> ADP3/4NPSM <input type="checkbox"/> CABGRIPS (std) <input type="checkbox"/> THRU3/4DIA <input type="checkbox"/> THRU7/8DIA <input type="checkbox"/> 7/8&17/16D (req'd for LTC) <input type="checkbox"/> TBPG16SCDA (req'd for non-LTC TERMINAL BOX)		<b>SWITCH RATING</b> <input type="checkbox"/> 10 Amps @ 125/250 VAC (std) <input type="checkbox"/> 0.1 Amp @ 125 VAC (gold)				<b>DIAL INSCRIPTION</b> <input type="checkbox"/> LIQUID TEMPERATURE °C <input type="checkbox"/> WINDING TEMPERATURE °C <input type="checkbox"/> °C <input type="checkbox"/> UNIVERSAL (BOTH LIQ. AND WIND. DIALS) <input type="checkbox"/> TEMPERATURE °C (ENGLISH and FRENCH ONLY) <input type="checkbox"/> OTHER (consult factory)																																																				
<b>CONNECTION STYLE (for switches)</b> <input type="checkbox"/> QUALITROL (detachable) <input type="checkbox"/> ANSI (detachable) <input type="checkbox"/> MILITARY (detachable) SCADA n/a <input type="checkbox"/> PERM. ATTACHED <input type="checkbox"/> TERMINAL BOX (req'd for SCADA LTC)		<b>ENVIRONMENTAL CONDITIONS</b> <input type="checkbox"/> OUTDOOR, VENTED (NEMA 3R, std) <input type="checkbox"/> OUTDOOR, SEALED (IP65) <input type="checkbox"/> TROPICAL, HIGH HUMIDITY (IP65) <input type="checkbox"/> CORROSIVE (hydrogen sulfide) (IP65)		<b>SWITCH #1 Operation:</b> <input type="checkbox"/> RISING (std) <input type="checkbox"/> FALLING. All other switches operate on rising temperature.				<b>CAPILLARY TYPE</b> <input type="checkbox"/> BARE COPPER <input type="checkbox"/> W/ COPPER BRAIDED COVER (std) <input type="checkbox"/> NOPRENE COVER <input type="checkbox"/> STN STEEL ARMOR <input type="checkbox"/> STN STEEL ELEMENT (ext)																																																				
<b>DEVICE WIRING</b> <table border="1"> <tr><td> </td><td> </td><td> </td><td> </td></tr> </table>						<b>CONNECTOR NUT OR TERMINAL BOX STYLE</b> <table border="1"> <tr><td> </td><td> </td><td> </td><td> </td></tr> </table>						<b>TEMPERATURE RANGE</b> (°C switch setting range)				<b>AVAIL. COLORS</b>																																												
				<table border="1"> <tr><td><input type="checkbox"/> 0/160°C (16/144)</td><td>w/b, y/b</td><td></td></tr> <tr><td><input type="checkbox"/> 0/120°C (12/108)</td><td>w/b, y/b</td><td>0, 30, 60, 90, 120</td></tr> <tr><td><input type="checkbox"/> 0/120°C &amp; 32/248°F (12/108)</td><td>w/b</td><td>0, 30, 60, 90, 120 DUAL SCALE</td></tr> <tr><td><input type="checkbox"/> 0/120°C (12/108)</td><td>w/b</td><td>0, 40, 80, 120</td></tr> <tr><td><input type="checkbox"/> 0/140°C (14/126)</td><td>w/b</td><td></td></tr> <tr><td><input type="checkbox"/> 0/160°C &amp; 32/320°F (16/144)</td><td>w/b</td><td>DUAL SCALE</td></tr> <tr><td><input type="checkbox"/> 0/180°C (18/162)</td><td>w/b, y/b</td><td></td></tr> <tr><td><input type="checkbox"/> 0/180°C &amp; 32/356°F (18/162)</td><td>w/b</td><td>DUAL SCALE</td></tr> <tr><td><input type="checkbox"/> 0/200°C (20/180)</td><td>w/b</td><td></td></tr> <tr><td><input type="checkbox"/> 0/220°C (22/198)</td><td>w/b, y/b</td><td></td></tr> <tr><td><input type="checkbox"/> 20/180°C (36/164)</td><td>w/b, y/b</td><td></td></tr> <tr><td><input type="checkbox"/> 20/200°C (38/182)</td><td>w/b</td><td></td></tr> <tr><td><input type="checkbox"/> -20/120°C (-6/106)</td><td>w/b</td><td>5°C GRADS</td></tr> <tr><td><input type="checkbox"/> -20/120°C (-6/106)</td><td>y/b</td><td>2°C GRADS</td></tr> <tr><td><input type="checkbox"/> -20/160°C (-2/142)</td><td>w/b, y/b</td><td></td></tr> <tr><td><input type="checkbox"/> -40/140°C (-22/122)</td><td>w/b</td><td></td></tr> <tr><td><input type="checkbox"/> -60/120°C (-42/102)</td><td>w/b</td><td></td></tr> </table>				<input type="checkbox"/> 0/160°C (16/144)	w/b, y/b		<input type="checkbox"/> 0/120°C (12/108)	w/b, y/b	0, 30, 60, 90, 120	<input type="checkbox"/> 0/120°C & 32/248°F (12/108)	w/b	0, 30, 60, 90, 120 DUAL SCALE	<input type="checkbox"/> 0/120°C (12/108)	w/b	0, 40, 80, 120	<input type="checkbox"/> 0/140°C (14/126)	w/b		<input type="checkbox"/> 0/160°C & 32/320°F (16/144)	w/b	DUAL SCALE	<input type="checkbox"/> 0/180°C (18/162)	w/b, y/b		<input type="checkbox"/> 0/180°C & 32/356°F (18/162)	w/b	DUAL SCALE	<input type="checkbox"/> 0/200°C (20/180)	w/b		<input type="checkbox"/> 0/220°C (22/198)	w/b, y/b		<input type="checkbox"/> 20/180°C (36/164)	w/b, y/b		<input type="checkbox"/> 20/200°C (38/182)	w/b		<input type="checkbox"/> -20/120°C (-6/106)	w/b	5°C GRADS	<input type="checkbox"/> -20/120°C (-6/106)	y/b	2°C GRADS	<input type="checkbox"/> -20/160°C (-2/142)	w/b, y/b		<input type="checkbox"/> -40/140°C (-22/122)	w/b		<input type="checkbox"/> -60/120°C (-42/102)	w/b		<b>MARKINGS</b>	
<input type="checkbox"/> 0/160°C (16/144)	w/b, y/b																																																											
<input type="checkbox"/> 0/120°C (12/108)	w/b, y/b	0, 30, 60, 90, 120																																																										
<input type="checkbox"/> 0/120°C & 32/248°F (12/108)	w/b	0, 30, 60, 90, 120 DUAL SCALE																																																										
<input type="checkbox"/> 0/120°C (12/108)	w/b	0, 40, 80, 120																																																										
<input type="checkbox"/> 0/140°C (14/126)	w/b																																																											
<input type="checkbox"/> 0/160°C & 32/320°F (16/144)	w/b	DUAL SCALE																																																										
<input type="checkbox"/> 0/180°C (18/162)	w/b, y/b																																																											
<input type="checkbox"/> 0/180°C & 32/356°F (18/162)	w/b	DUAL SCALE																																																										
<input type="checkbox"/> 0/200°C (20/180)	w/b																																																											
<input type="checkbox"/> 0/220°C (22/198)	w/b, y/b																																																											
<input type="checkbox"/> 20/180°C (36/164)	w/b, y/b																																																											
<input type="checkbox"/> 20/200°C (38/182)	w/b																																																											
<input type="checkbox"/> -20/120°C (-6/106)	w/b	5°C GRADS																																																										
<input type="checkbox"/> -20/120°C (-6/106)	y/b	2°C GRADS																																																										
<input type="checkbox"/> -20/160°C (-2/142)	w/b, y/b																																																											
<input type="checkbox"/> -40/140°C (-22/122)	w/b																																																											
<input type="checkbox"/> -60/120°C (-42/102)	w/b																																																											
<b>EXTERNAL WIRING</b> <input type="checkbox"/> CABLE <input type="checkbox"/> 16 Ga. SOW-A/SO (std) <input type="checkbox"/> 16 Ga. TEW (std) <input type="checkbox"/> FLYING LEADS <input type="checkbox"/> 16 Ga. TEF <input type="checkbox"/> 14 Ga. TEW <input type="checkbox"/> NONE <input type="checkbox"/> CONNECTOR PARTS ONLY		<b>LENGTH OF CABLE OR FLYING LEADS</b> <input type="checkbox"/> Inches    Specify 6" increments (900" max.) <input type="checkbox"/> Meters    Can be specified to 0.1 M (22.8 M max.) <b>LENGTH:</b>		<b>INSRIPTION LANGUAGE</b> (and colors) <input type="checkbox"/> ENGLISH (w/b), std <input type="checkbox"/> FRENCH (w/b) <input type="checkbox"/> GERMAN (y/b) <input type="checkbox"/> PORTUGUESE (w/b) <input type="checkbox"/> SPANISH (w/b) <input type="checkbox"/> NO LOWER DIAL				<b>SENSING BULB LENGTH</b> <input type="checkbox"/> 18" (457 mm) ADJUSTABLE <input type="checkbox"/> 26" (660 mm) ADJUSTABLE <input type="checkbox"/> 3.00" (76 mm), EURO ONLY <input type="checkbox"/> 5.00" (127 mm) FIXED <input type="checkbox"/> 5.81" (148 mm) FIXED (std) <input type="checkbox"/> 6.38" (162 mm) FIXED <input type="checkbox"/> 9.68" (246 mm) FIXED Note: Adjustable length bulbs must be used in wells.																																																				



- OPTIONAL WELL (for std. .481 bulb dia. ONLY)**
- 167-50-3D; 1/2 NPT FOR 5.81" (148mm) bulb length (brass)
  - 167-50-3E; 7/8-14 UNF-2A for 5.81" (148mm) bulb length (brass)
  - 167-50-3L; 3/4 NPT for 5.81" (148mm) bulb length (brass)
  - WEL-600-1; 7/8-14 UNF-2A for 6.38" (162mm) bulb length (brass)
  - WEL-611-1; 1/2 NPT FOR 9.68" (246mm) bulb length (brass)
  - WEL-625-1; 1/2 NPT FOR 5.81" (148mm) bulb length (stn stl)
  - WEL-626-1; 3/4 NPT for 9.68" (246mm) bulb length (brass)

- OPTIONAL ADAPTOR**
- ADP-115-1; 3/8 NPT MALE
  - ADP-170-1; 1/2 BSP PRL MALE
  - ADP-174-1; 1/2 NPT MALE
  - ADP-175-1; 1/2 NPT FEMALE
  - ADP-176-1; 3/4 NPT FEMALE
  - ADP-177-1; 1-14 MALE
  - ADP-178-1; 1-18 MALE
  - ADP-179-1; 1.06-18 MALE
  - ADP-180-1; 1.12-18 MALE
  - ADP-181-1; 1.62-12 MALE
  - ADP-182-1; 3/4-16 MALE
  - ADP-183-1; 3/4 NPSM FEMALE
  - 167-50-29F; 7/8-14 MALE
  - 167-50-29L; 3/4 NPT MALE

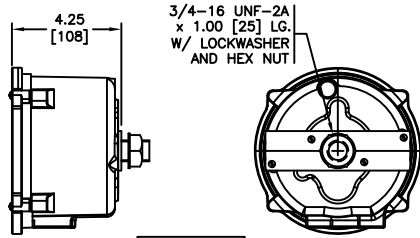
Note: Not all option combinations are available, please consult factory.

# Product Information

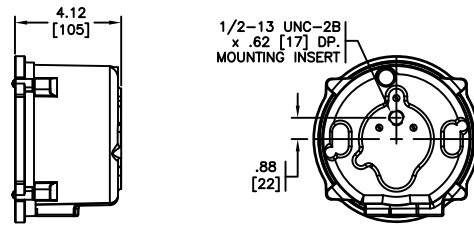
## 6" Remote Thermometer

### Basic Thermometer Mounting

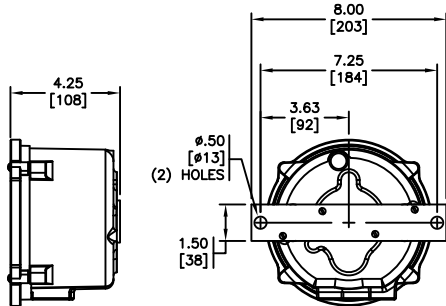
© Qualitrol is an ISO 9001 system certified company.  
Information subject to change without notice.



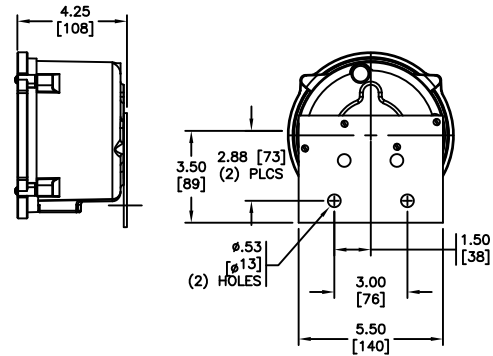
STUD3/4



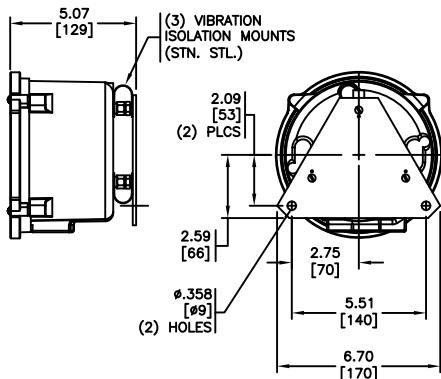
INT1/2THD



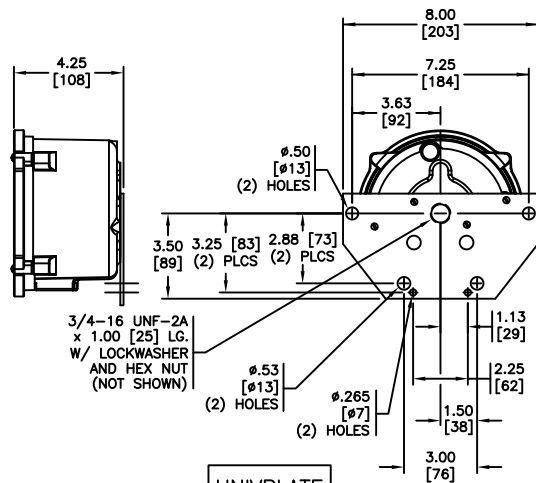
STDPLATE



BTMMTPLT



EUROVIB



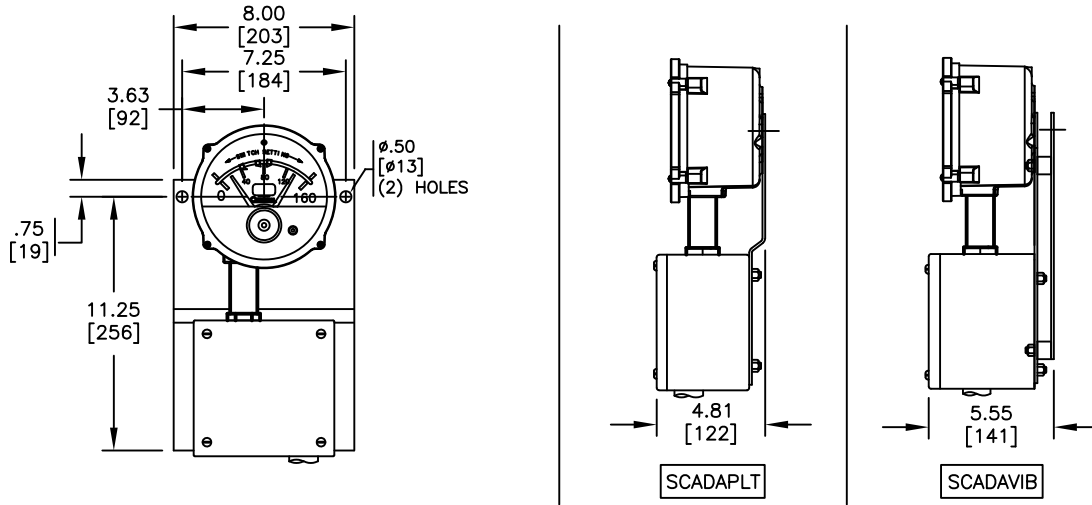
UNIVPLATE

# Product Information

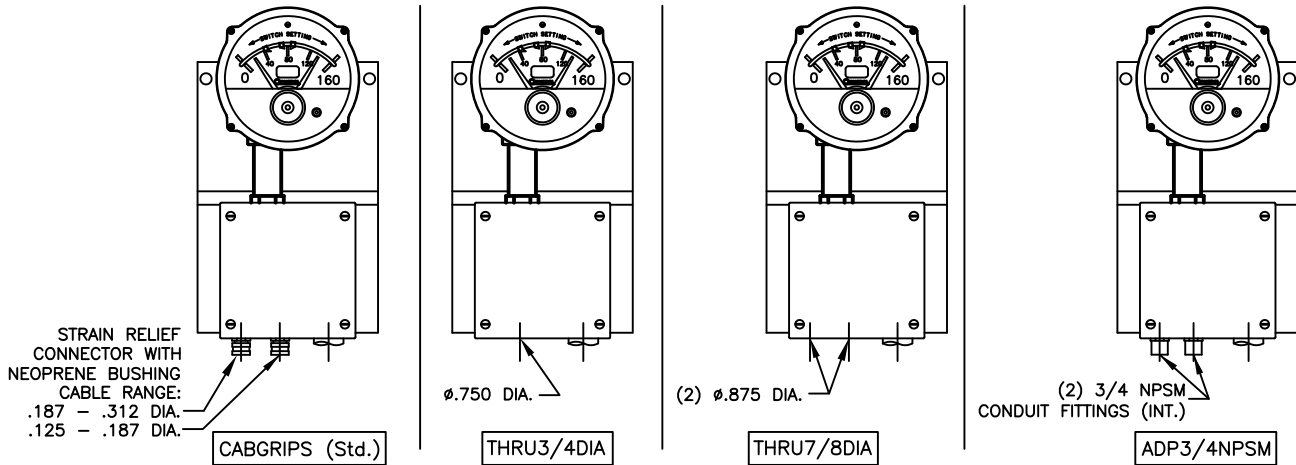
## 6" Remote Thermometer

### Scada Thermometer Mounting/Cable Entry

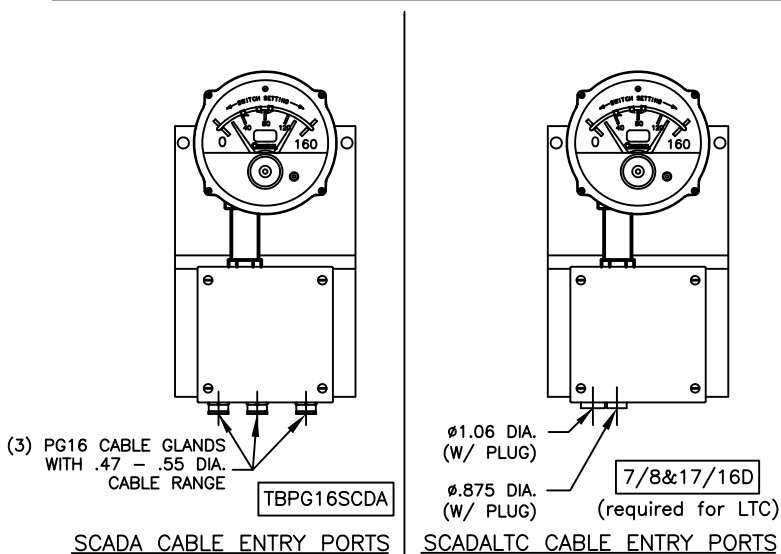
© Qualitrol is an ISO 9001 system certified company.  
Information subject to change without notice.



SCADA AND SCADALTC GAGE MOUNTING STYLES



SCADA CABLE ENTRY PORTS  
FOR DETACHABLE OR PERM ATT. CONNECTOR MODELS ONLY



FOR TERMINAL BOX MODELS ONLY

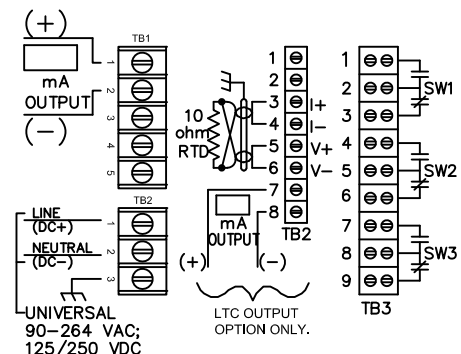
#### SCADA TERMINAL BLOCK CONNECTIONS

POWER SUPPLY INPUTS, THERMOMETER mA OUTPUTS:  
12 AWG MAX., .31 WIDE RINGS/TERMINALS, #6-32 SCREWS

THERMOMETER SWITCH CONTACTS (SCADALTC ONLY):  
14 AWG MAX., .31 WIDE RINGS/TERMINALS, #6-32 SCREWS

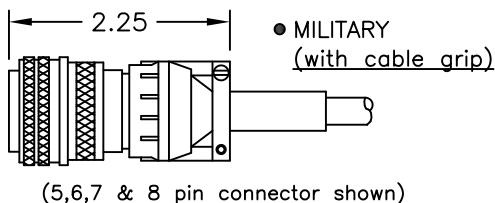
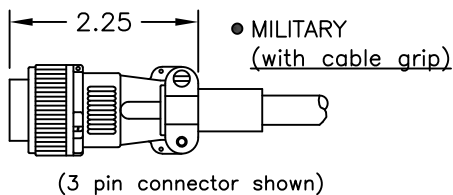
LTC RTD INPUTS AND mA OUTPUTS (SCADALTC ONLY):  
16 AWG MAX., SCREW-CLAMP CONNECTION

THERMOMETER SWITCH CONTACTS (SCADA TERMINAL BOX ONLY):  
12 AWG MAX., SCREW-CLAMP CONNECTION

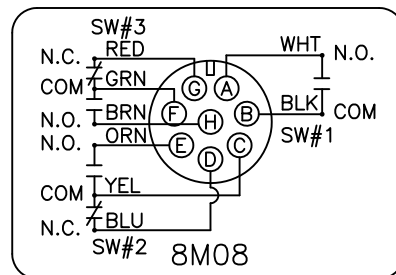
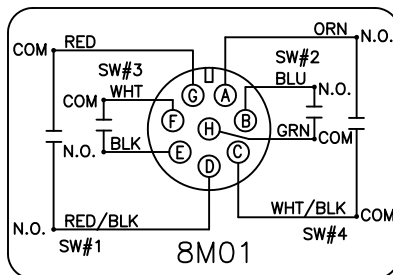
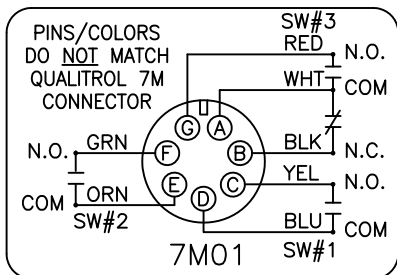
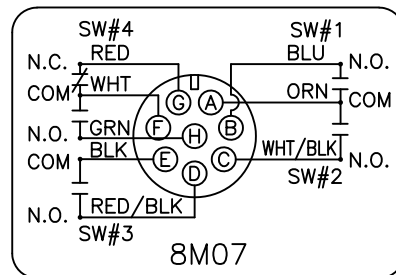
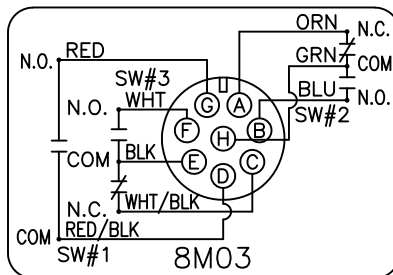
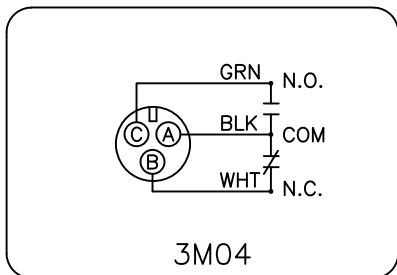




CONNECTOR NUT STYLES AND DEVICE WIRING  
 FOR MILITARY DETACHABLE CONNECTORS



MILITARY



NO CONNECTOR AVAILABLE

# Product Information

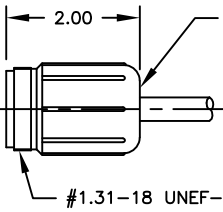
## 6" Remote Thermometer

### Device Wiring & Connector Styles

© Qualitrol is an ISO 9001 system certified company.  
Information subject to change without notice.



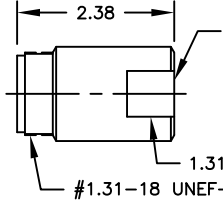
#### STANDARD NUT



- AVAILABLE SHELL OPTIONS:
- STDSHELL with Strain Relief (cable only) **F**
  - STD1/2NPT Standard Shell with 1/2" NPT **A**
  - STDW/PG16 Standard Shell with PG16 thread **A**

STDSHELL    STD1/2NPT    STDW/PG16

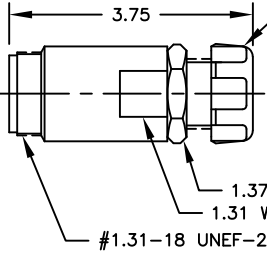
#### CONDUIT ADAPTOR



- AVAILABLE THREAD OPTIONS:
- ADP1/2NPT Conduit Adaptor with 1/2" NPT **A**
  - ADP3/4NPT Conduit Adaptor with 3/4" NPT **B**

ADP1/2NPT    ADP3/4NPT

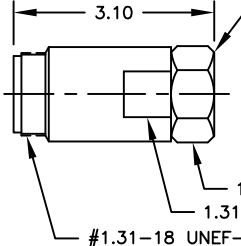
#### SPIN NUT (FLEX CONDUIT ADAPTOR)



- AVAILABLE CONDUIT SIZES:
- SPIN1/2FLX Spin Nut for 1/2" flexible conduit **C**
  - SPIN3/4FLX Spin Nut for 3/4" flexible conduit **D**

SPIN1/2FLX    SPIN3/4FLX

#### SPIN NUT (CONDUIT ADAPTOR)

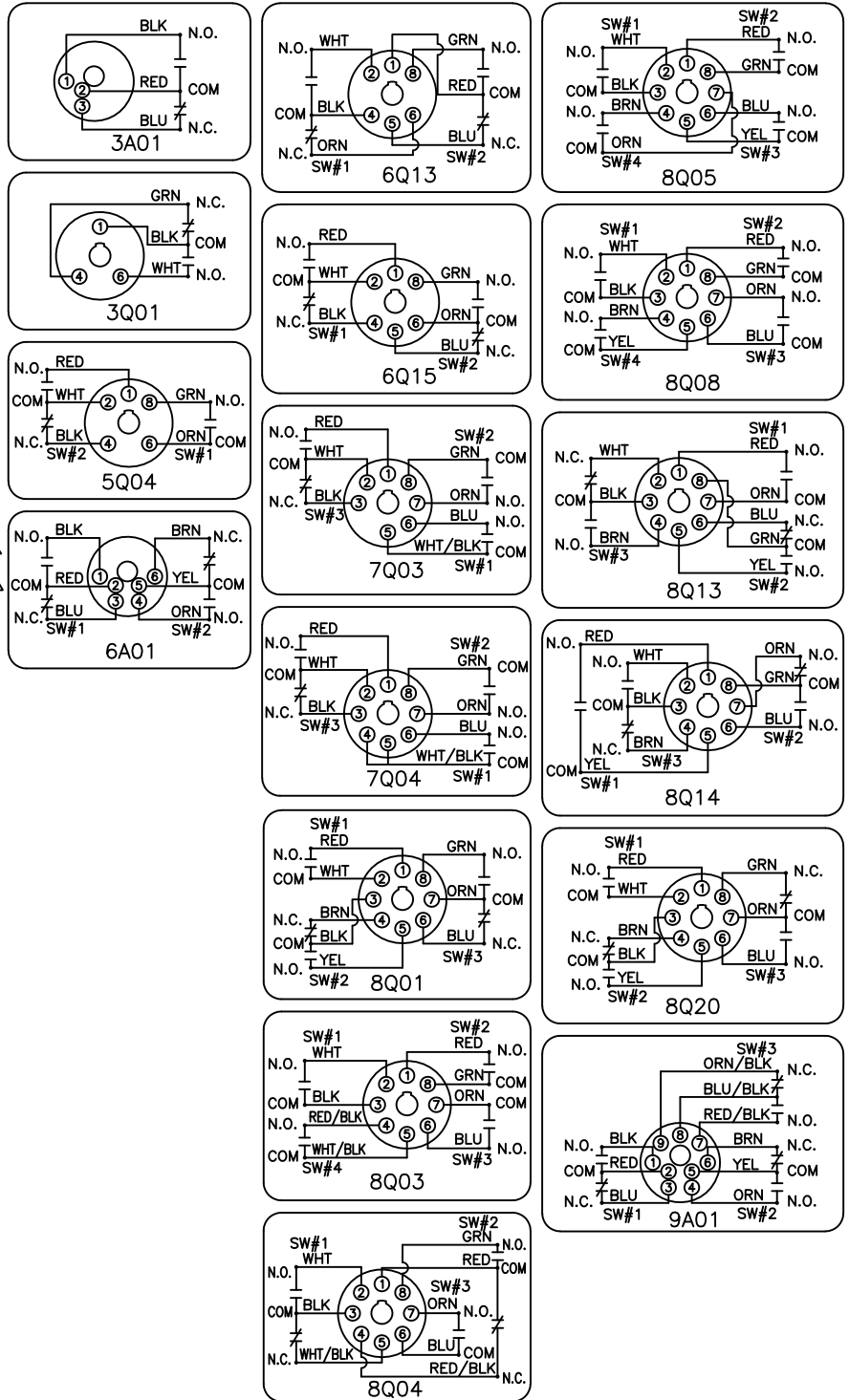


- AVAILABLE THREAD OPTIONS:
- SPIN1/2NPT Spin Nut with 1/2" NPT **A**
  - SPIN3/4NPT Spin Nut with 3/4" NPT **E**
  - SPINW/M20 Spin Nut with M20 thread **A**

SPIN1/2NPT    SPIN3/4NPT    SPINW/M20

	CABLE SIZE	# FLYING LEADS LIMIT
<b>A</b>	#14/4 MAX.	#14 GA. 9 LEADS MAX.
	#16/8 MAX.	#16 GA. 9 LEADS MAX.
<b>B</b>	#14/8 MAX.	#14 GA. 9 LEADS MAX.
	#16/9 MAX.	#16 GA. 9 LEADS MAX.
<b>C</b>	#14/5 MAX.	#14 GA. 9 LEADS MAX.
	#16/6 MAX.	#16 GA. 9 LEADS MAX.
<b>D</b>	#14/6 MAX.	#14 GA. 9 LEADS MAX.
	#16/9 MAX.	#16 GA. 9 LEADS MAX.
<b>E</b>	#14/4 MAX.	#14 GA. 9 LEADS MAX.
	#16/9 MAX.	#16 GA. 9 LEADS MAX.
<b>F</b>	#14/8 MAX.	#14 GA. 9 LEADS MAX.
	#16/9 MAX.	#16 GA. 9 LEADS MAX.

### CONNECTOR NUT STYLES AND DEVICE WIRING FOR QUALITROL AND ANSI DETACHABLE CONNECTORS (UP TO 9 LEADS - SEE CHART FOR WIRE SIZE LIMITS)



# Product Information

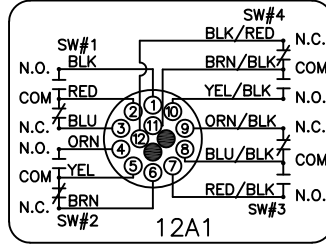
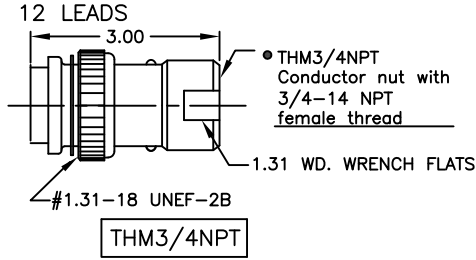
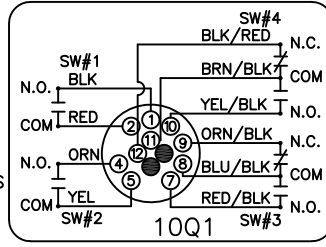
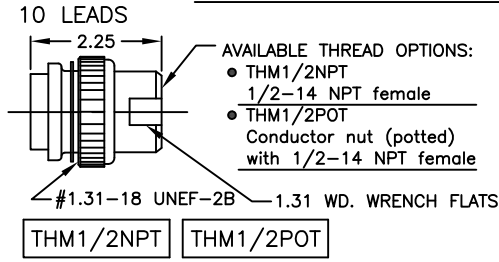
## 6" Remote Thermometer

### Device Wiring & Connector Styles

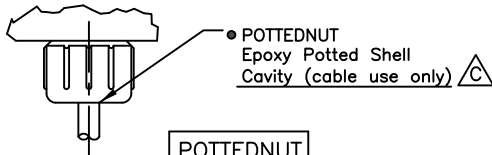
© Qualitrol is an ISO 9001 system certified company.  
Information subject to change without notice.



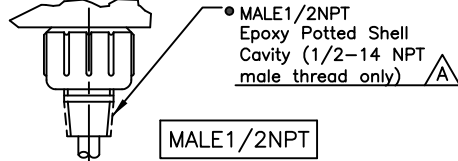
#### QUALITROL 10 CONDUCTOR/ANSI 12 CONDUCTOR NUT STYLES AND DEVICE WIRING



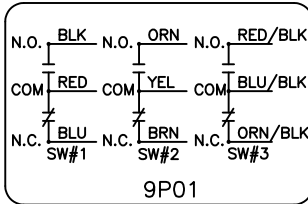
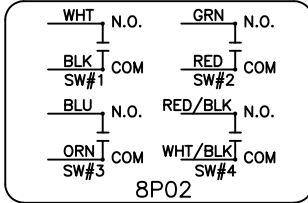
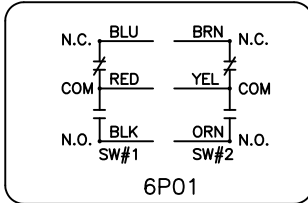
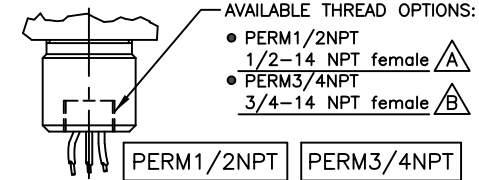
#### POTTED CABLE CONNECTION



#### MALE CONDUIT CONNECTION

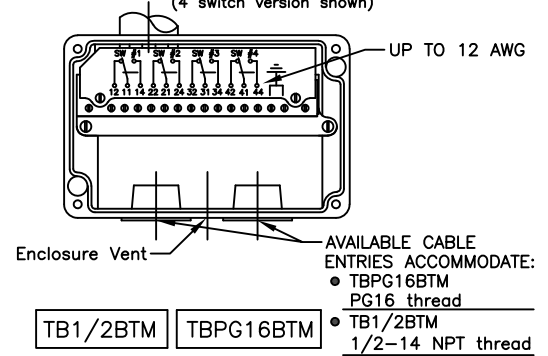


#### FEMALE CONDUIT CONNECTION

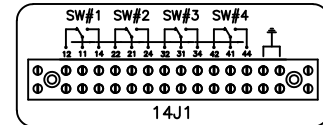
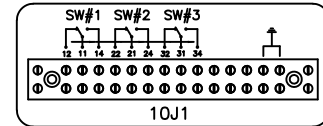
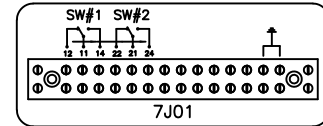
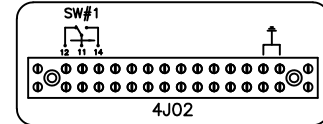
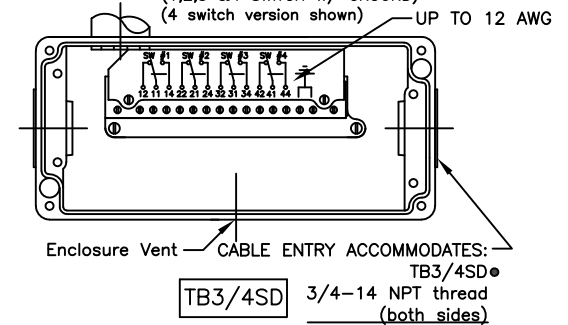


#### DEVICE WIRING FOR TERMINAL BOX (SEE SHT. 4 FOR SCADA ENCLOSURE)

##### TERMINAL BOX – BOTTOM ENTRY (1,2,3 & 4 SWITCH W/ GROUND) (4 switch version shown)



##### TERMINAL BOX – SIDE ENTRY (1,2,3 & 4 SWITCH W/ GROUND) (4 switch version shown)



#### CONNECTOR NUT STYLES AND DEVICE WIRING FOR PERMANENTLY ATTACHED CABLES AND WIRES (SEE CHART FOR WIRE SIZE LIMITS)

	CABLE SIZE	FLYING LEAD SIZE
⚠	#16/8 MAX.	#14 GA. 9 LEADS MAX. #16 GA. 9 LEADS MAX.
⚠	#14/8 MAX. #16/9 MAX.	#14 GA. 9 LEADS MAX. #16 GA. 9 LEADS MAX.
⚠	#16/9 MAX.	

